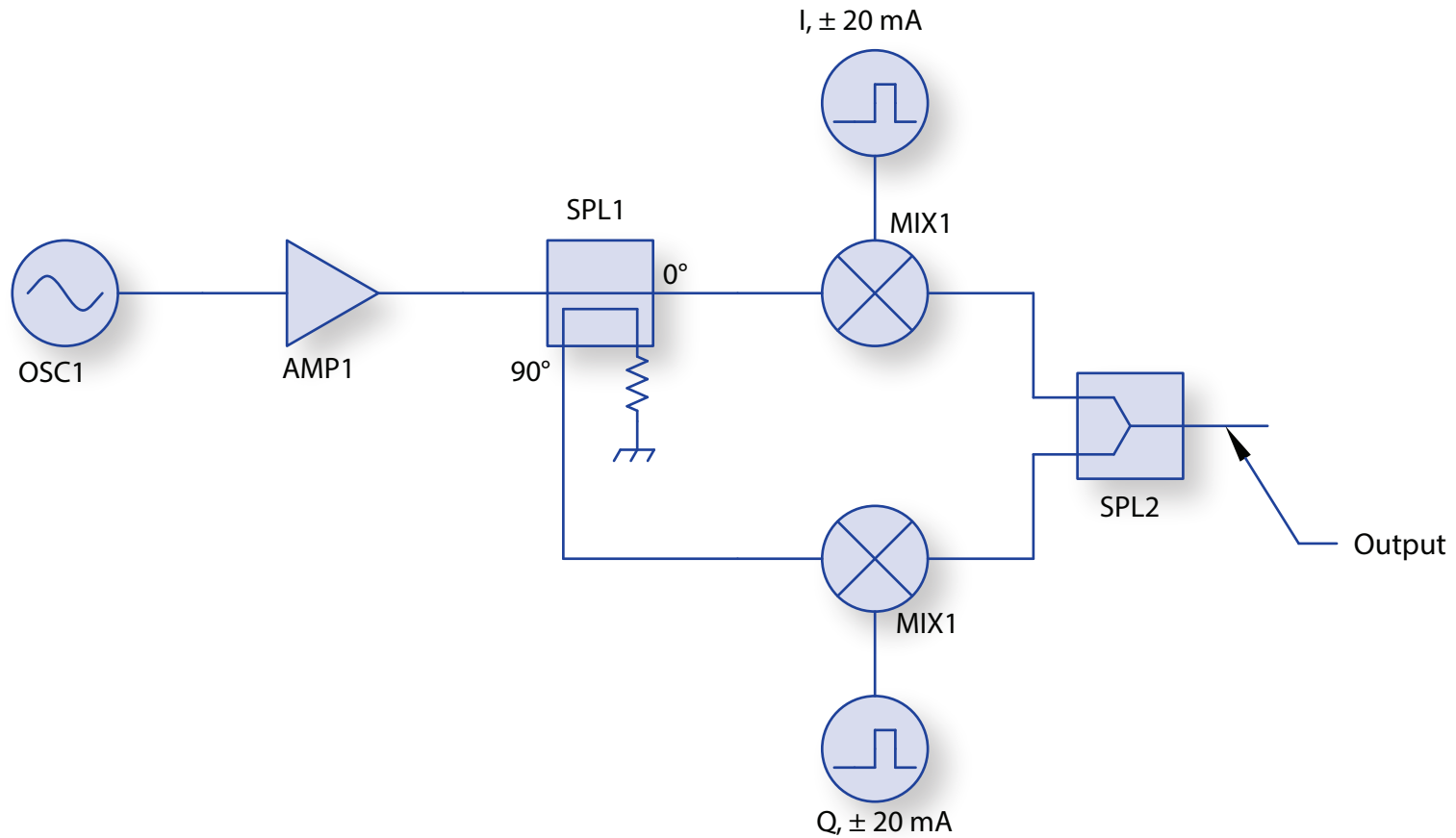


2.4 GHz QAM MODULATOR



Schematic Part No.	Sample Mini-Circuits Model Families
AMP1	PHA , PGA , GVA , GALI , LEE , ERA , MNA , MAR , RAM , VAM
MIX1	SYM , JYM , HJK , SIM
OSC1	ROS , JTOS
SPL1	QCN , QCC , QCS
SPL2	BP2U , GP2S1 , SBTC , LRPS , SYPS , TCP , SCN , GP2Y , SEPS , RPS